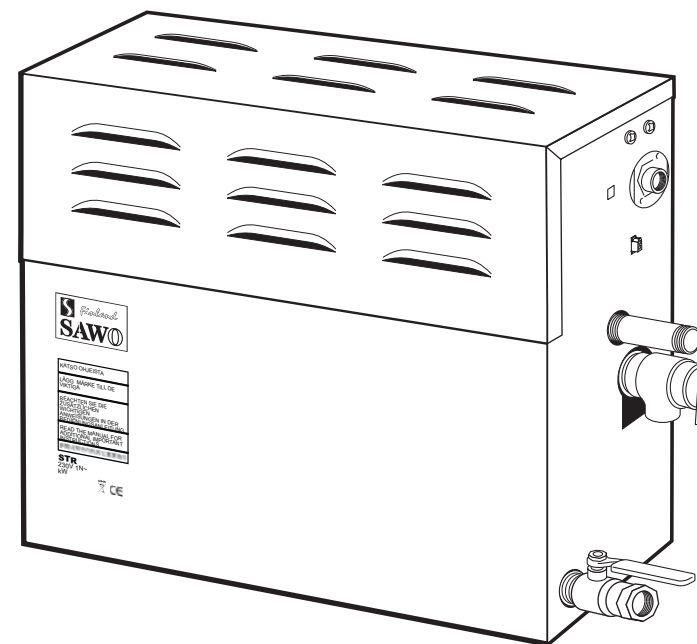




# MANUAL

STR45-1	STR60-1	STR75-1	STR90-1	STR120-3
STR45-3	STR60-3	STR75-3	STR90-3	STR150-3

*Congratulations on your purchase of SAWO Steam Generator.  
Please read the manual carefully before using the steam generator.*



**RESIDENTIAL  
STEAMBATH  
GENERATOR  
SYSTEMS**



[www.sawo.com](http://www.sawo.com)  
[info@sawo.com](mailto:info@sawo.com)

Subject to change without notice.

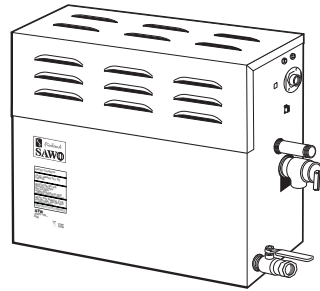
# Residential Steambath Generator Systems

## TABLE OF CONTENTS

Before Installing.....	3
Locating the Steam Generator.....	4
Installation.....	5
Generator Diagram.....	6
Electrical.....	7
Field Power Wiring.....	8
Wiring Diagrams.....	9
Optional Tandem Cable.....	10
for connecting 2-5 steam generators in tandem	
Optional Automatic Drain System.....	12
Select Your SAWO Model.....	13
STR45-1, STR45-3, STR60-1, STR60-3, STR75-1, STR75-3	
STR90-1 and STR90-3 (with Automatic drain).....	14
STR120-3 and STR150-3 (with Automatic drain).....	15
Installing the Remote Temperature Probe.....	16
SAWO Control.....	18

### MODELS:

STR45-1	STR75-3
STR45-3	STR90-1
STR60-1	STR90-3
STR60-3	STR120-3
STR75-1	STR150-3



**IMPORTANT NOTE:** As you follow these instructions, you will notice warning and caution symbols. This blocked information is important for the safe and efficient installation and operation of this generator. These are types of potential hazards that may occur during this installation and operation:

#### WARNING ⚠️

states a hazard may cause serious injury or death if precautions are not followed.

#### CAUTION ⚠️

signals a situation where minor injury or product damage may occur if you do not follow instructions.

#### IMPORTANT NOTE:

This highlights information that is especially relevant to a problem-free installation.

## Before Installing

**IMPORTANT:** The following general information should be used in conjunction with consultations with your architect, designer and contractor in determining all factors necessary in providing a suitable and safe steam room.

- Read these instructions before installation or service. Although this steambath generator has been fully qualified for shipment by SAWO, the following must be reviewed for proper, safe and enjoyable steam bathing.
- Verify that the model and accessories are correct, including incoming line voltage.
- Insure steambath generator has been correctly sized for the steambath room. Pay particular attention to room volume and construction. If any questions, please refer to SAWO sizing guide enclosed (see page 13).
- Marble or glass walls or ceilings, or exterior walls "ENLARGE" the room's size, requiring a generator larger than one based only on the room's (L x H x W) volume.
- The physical size of the unit, clearance for plumbing servicing, and its distance from the steam room must all be considered before final installation.

**IMPORTANT:** SAWO units are intended to be operated with SAWO Controls only, and are to be installed strictly in accordance with the specific instructions contained in this manual and as supplied in the manuals provided with the controls.

**WARNING ⚠️** Electrical shock hazard. SAWO steam generators are connected to 220-240V (One Phase models only: STR45-1, STR60-1, STR75-1 and STR90-1), or 380-430V (Three Phase models only: STR45-3, STR60-3, STR75-3, STR90-3, STR120-3 and STR150-3) line voltage and contain live electrical components. All installation and service to be performed by qualified and licensed electricians and plumbers only. Installation or service by unqualified persons may void the warranty.

### Steam Room Guidelines

1. Steam room must be completely enclosed, with full walls, door, floor and ceiling.
2. It is recommended that a gasketed door is used for heat sealing and steam containment.
3. If tile-type or other smooth surfaced flooring is used provide suitable anti-skid strips or equivalent, to prevent user slipping and injury.
4. Walls and ceilings must be constructed of water-resistant, non-corrosive surface, such as tile, marble, molded acrylic, or other non-porous material. The ceiling should be sloped to prevent dripping of condensate. If acrylic, fiberglass or other non-heat resistant materials are used as part of the steamroom enclosure.
5. Provide a floor drain.
6. No heating, venting or air conditioning devices should be installed inside the steam room.
7. Windows that are part of the steamroom should be double paned.
8. Try to limit steamroom ceiling height to 2.5m. Exceeding 2.5m may require a higher-rated steam generator.
9. SAWO strongly recommends that a warning be posted in a conspicuous location near the steambath.

### WARNING ⚠️

1. Children under the age of 16 should not use the Steambath.
2. Check with a physician before use of the Steambath if you are pregnant, have a coronary condition, are in poor health, are being treated for any other medical condition, or are using medication or drugs.
3. Exit Steam Room immediately if you feel faint, dizzy, sleepy, or otherwise uncomfortable.
4. Do not use the Steambath if you have recently consumed alcohol.
5. Condensation and moisture may cause the the Steambath floor and other surfaces to become slippery and dangerous. Installation of non-skid floor materials or the use of proper footwear is recommended at all times.

**IMPORTANT!** Read the manual provided for use and safety information.

### SAWO

SAWO, Inc. SAWO Building Mactan Export Processing Zone 2 Cebu, Philippines 6015 [www.sawo.com](http://www.sawo.com)

#### WARNING ⚠️

The STR series of steam generators are for residential use only. Commercial or other non residential applications void the warranty and may adversely affect product performance.

## Locating the Steam Generator

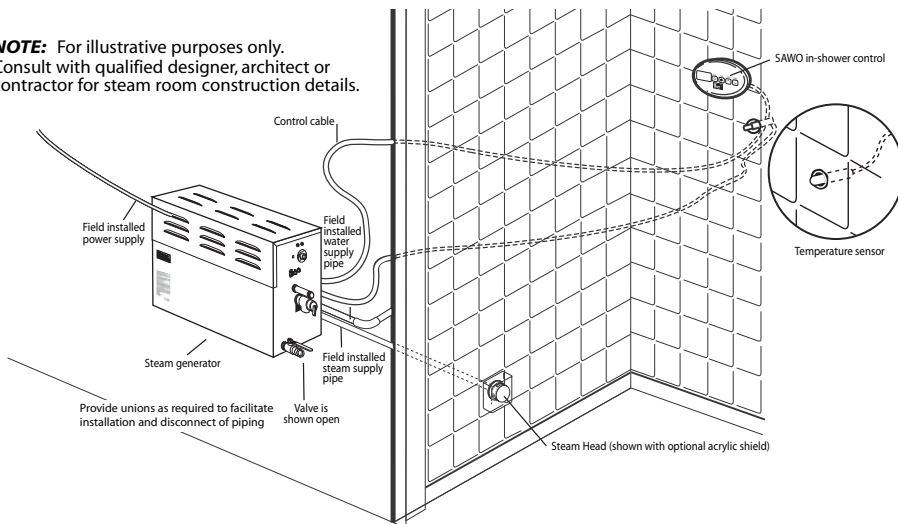
Select a location as near as practical to the steam room. Typical locations include: closet, vanity cabinet, heated attic or basement.

1. Locate steambath generator within 7.5 meters of steam room.  
**NOTE:** The standard length of the cable for connecting the control to the steam generator is 7.5 meters. The steam generator and control must be located accordingly.
2. Do not install steambath generator inside steam room.
3. Do not install steambath generator outdoors or wherever environmental conditions may affect the safety and/or performance of the generator.
4. Do not install steambath generator or plumbing lines in unheated attic or any locations where water could freeze.
5. Do not install steambath generator near flammable or corrosive materials or chemicals such as gasoline, paint thinners, or the like. Installation in areas having high concentrations of chlorine (such as pool equipment room) must be avoided.
6. Install steambath generator on a solid and level surface. Keyhole slots are provided on for wall mounting. Insure the steam generator is properly secured and level when mounting with keyhole slots.
7. Install steambath generator in an upright position only.
8. Install anti-water hammer device as necessary.
9. Provide a minimum of 300mm at both ends and top of the steam generator or as required for servicing.
10. Provide unions as required to facilitate installation and disconnection of piping.
11. **IMPORTANT:** Steam line, safety valve, drain valve, plumbing and steamheads become hot during operation and remain hot after shutdown for a period of time. Provide appropriate protection, including insulating plumbing lines. Avoid plumbing runs and steamhead locations that can come in contact with bathers.
12. SAWO controls can be located inside the steam room or on the outside of the steam room.

**NOTE:** SAWO Generators are CE compliant.

**WARNING** ⚠ The SAWO steam generators are for residential use only. Commercial or other non-residential applications void the warranty and may adversely affect product performance. Use only SAWO controls.

**NOTE:** For illustrative purposes only. Consult with qualified designer, architect or contractor for steam room construction details.



## Installation

### Plumbing

All plumbing shall be performed by a qualified licensed plumber and in accordance with applicable National and local codes.

- Use unions on all pipe connections.
- Use only brass piping or copper tubing as permitted by codes.
- Do not use black, galvanized or PVC pipe.

### Water Supply (10mm)

1. Connect hot or cold water line. Hot water line is preferable, however hot water should not exceed 70°C.
2. Provide a shut off valve in the water supply line upstream of the steambath generator.
3. Do not overheat inlet solenoid valve with solder connections. Overheating will damage parts.
4. Flush inlet water line thoroughly before making connection to unit.
5. Strainer recommended upstream of feed water connection.
6. For best performance water pressure should be 1 to 1.4 bar. Reduce pressure as required if necessary.
7. Provide anti-water hammer device as required.

### Steam Outlet (15mm)

1. Do not install any valve in steam line. Flow of steam must be unobstructed.
2. Use 15mm brass pipe or copper tubing from unit to steam head as permitted by codes.
3. Insulate steam line using pipe insulation rated 120°C or higher.
4. Pitch steam line 20mm per meter towards steam head or steam generator to avoid valleys and trapping of condensate.

**NOTE:** Running the steam line down and then up will create a steam trap blocking the flow of steam.

### Steam Head (15mm)

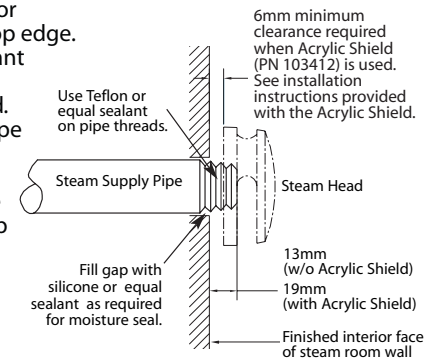
**CAUTION** ⚠ **INSTALLER** Because the steam head and direct steam emissions are very hot, locate the steam head where incidental contact by bather with the steam head or direct steam emission cannot occur.

1. Locate steam head 150-300mm above floor, except for
  - Tub/shower enclosures, install 150mm above tub top edge.
  - For enclosures with acrylic or other non-heat resistant flooring install Acrylic Shield.

2. Install steamhead with steam head facing downward. Hand tightening is sufficient when teflon or equal pipe thread sealing compound is used.

**IMPORTANT:** To preserve steam head finish, do not use wrench or other tools to tighten. Use no abrasive cleansers or chemicals. Use only water with mild soap and a non-abrasive sponge.

3. **IMPORTANT:** Consult with supplier of acrylic, fiberglass and other non-heat resistant enclosures for recommended steamhead location. Use an Acrylic Shield.



### Drain (15mm)

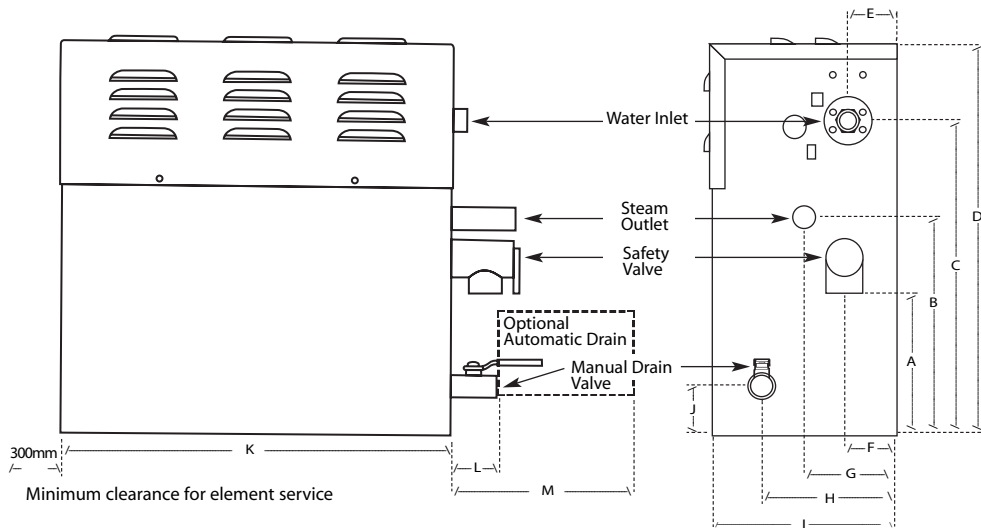
**NOTE:** A drain valve is provided to facilitate servicing. Provide a drain line connection from steambath generator drain valve according to National and local requirements. Check local plumbing code for receptor, trap and vent requirements. Unit drains by gravity.

### Safety Valve (20mm)

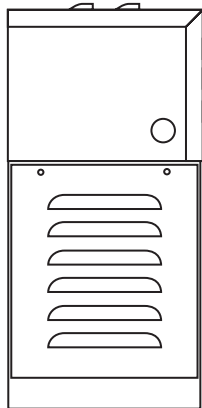
Where permitted by local codes, provide an outlet plumbing connection for safety valve.

**WARNING** ⚠ To insure proper and automatic safety valve operation: DO NOT connect a shut off valve or a plug at safety valve outlet. DO NOT connect a shut off valve in steam supply pipe.

# Generator Diagram



**IMPORTANT NOTE:** Provide clearance around steam generator as required for service and maintenance. Plumbing and electrical services based on approximate dimensional information. Drawing not to scale.



Side view showing element access panel

	STR45-1, STR45-3, STR60-1, STR60-3, STR75-1, STR75-3, STR90-1 and STR90-3	STR120-3 and STR150-3
A	140	184
B	210	254
C	302	310
D	375	466
E	45	152
F	48	64
G	89	102
H	127	152
I	171	200
J	45	35
K	368	502
L	64	60
M	152	162

**NOTES:**

1. M = Optional Automatic drain
2. All units in millimeters (mm)

TO AVOID EQUIPMENT DAMAGE DO NOT CONNECT POWER SUPPLY DIRECTLY TO ELEMENTS !!!

**NOTE:** For illustrative purposes only.

# Electrical

All electrical wiring to be installed by a qualified licensed electrician in accordance with local electrical code.

**Power Wiring** - See page 8 "Field Power Wiring" diagrams.

1. Check power voltage. Use 220-240V to connect a single phase SAWO residential steambath generator. Use 380-430V to connect a 3 phase SAWO residential steambath generator.
2. Use minimum 90°C / 600V rated insulated copper conductors only, sized in accordance with National Electrical Code and local electrical code for the Amps in Ampere Chart.
3. Connect suitably sized equipment earth wire to earth terminal provided.
4. Install a separate circuit breaker between supply and unit. Provide a power supply disconnect within sight of the steam generator or one that is capable of being locked in the open position.
5. For single phase units, use two-wire supply source and equipment grounding wire.

AMPERE CHART					
Model No.	kW	Maximum Room Volume (m <sup>3</sup> )	Phase	Current (A)	Wire Size mm <sup>2</sup>
STR45-1	4.5	3	Single	18A @ 220V 19A @ 240V	4mm <sup>2</sup>
STR45-3	4.5	3	Three	6A @ 380V 7A @ 415V 7A @ 430V	2.5mm <sup>2</sup>
STR60-1	6.0	5	Single	23A @ 220V 25A @ 240V	6.0mm <sup>2</sup>
STR60-3	6.0	5	Three	8A @ 380V 9A @ 415V 9A @ 430V	2.5mm <sup>2</sup>
STR75-1	7.5	8	Single	29A @ 220V 32A @ 240V	6.0mm <sup>2</sup>
STR75-3	7.5	8	Three	10A @ 380V 11A @ 415V 11A @ 430V	2.5mm <sup>2</sup>
STR90-1	9.0	11	Single	35A @ 220V 38A @ 240V	8.0mm <sup>2</sup>
STR90-3	9.0	11	Three	12A @ 380V 13A @ 415V 13A @ 430V	2.5mm <sup>2</sup>
STR120-3	12.0	16	Three	16A @ 380V 17A @ 415V 18A @ 430V	4mm <sup>2</sup>
STR150-3	15.0	19	Three	20A @ 380V 21A @ 415V 22A @ 430V	4mm <sup>2</sup>

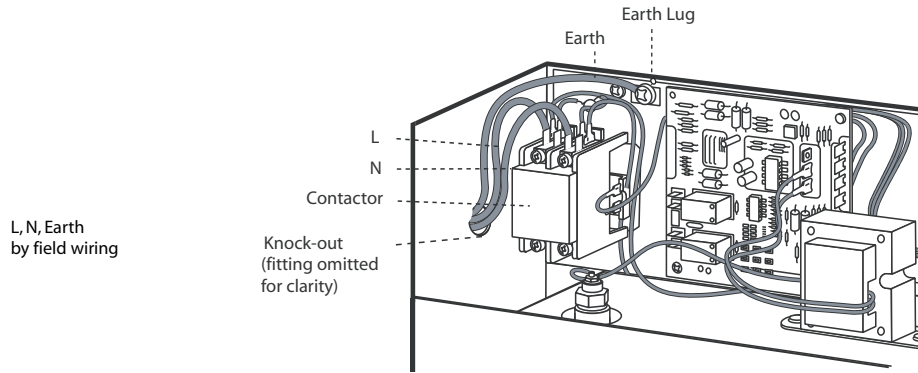
Provide a power supply disconnect within sight of the steam generator or one that is capable of being locked in the open position as permitted by applicable standards.

Wire sizes in this manual are indicative only, and should be used in conjunction with licensed electricians only.

1. When operated on 220V/1PH, kW output will be 84% of rated kW at 240V/1PH.
2. All three phase heating elements used on 380-430V/3PH products are rated at 415V/3PH.
3. When operated on 380V/3PH, kW output will be 84% of rated kW at 415V/3PH.
4. When operated on 430V/3PH, kW output will be 107% of rated kW at 415V/3PH.
5. Only copper field wiring suitable for 90 degree Centigrade-rated insulation is to be used.
6. For product operating on voltages in excess of 250V, use only 600V rated insulation.

# Field Power Wiring

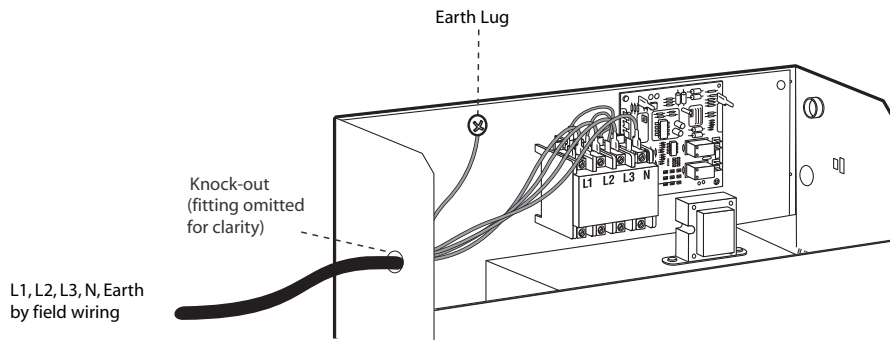
## Models STR45-1, STR-60-1, STR75-1 and STR90-1



TO AVOID EQUIPMENT DAMAGE DO NOT CONNECT  
POWER SUPPLY DIRECTLY TO ELEMENTS !!!

**NOTE:** For illustrative purposes only. Consult with qualified licensed electrician for electrical installation.

## Models STR45-3, STR60-3, STR75-3, STR90-3, STR120-3 and STR-150-3

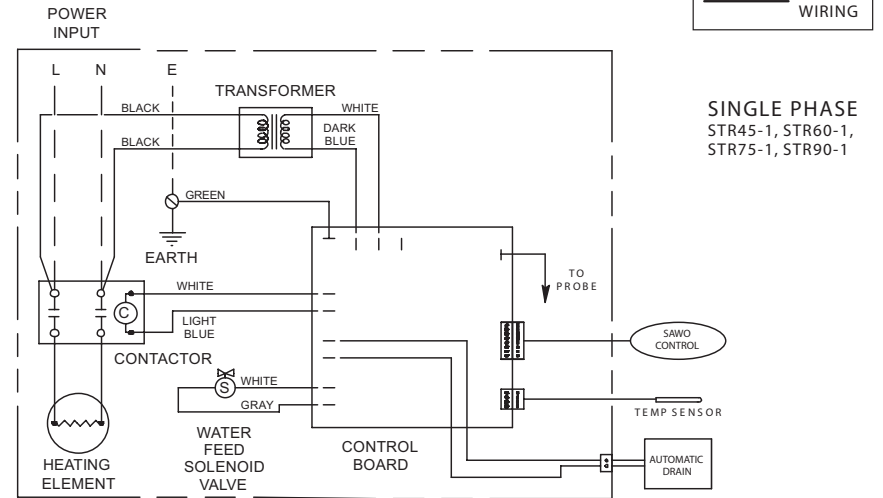


TO AVOID EQUIPMENT DAMAGE DO NOT CONNECT  
POWER SUPPLY DIRECTLY TO ELEMENTS !!!

**NOTE:** For illustrative purposes only. Consult with qualified licensed electrician for electrical installation.

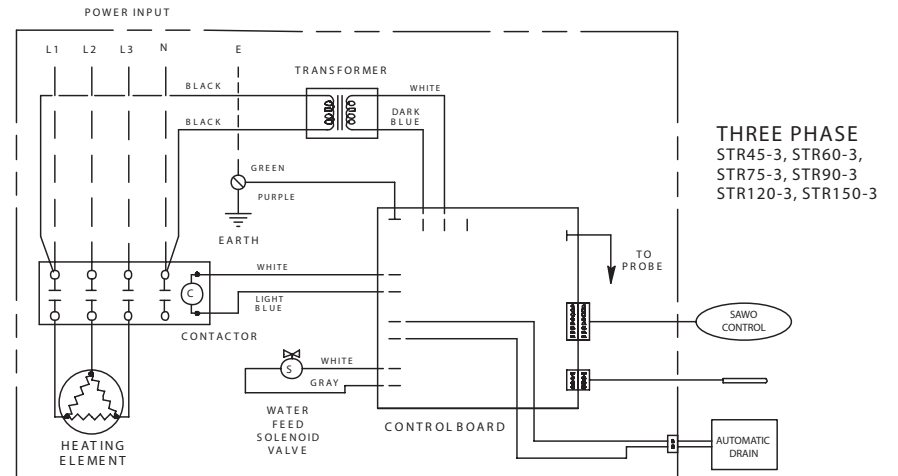
# Wiring Diagrams

LEGEND <small>All Diagrams</small>	
---	FIELD WIRING
—	FACTORY WIRING



SINGLE PHASE  
STR45-1, STR60-1,  
STR75-1, STR90-1

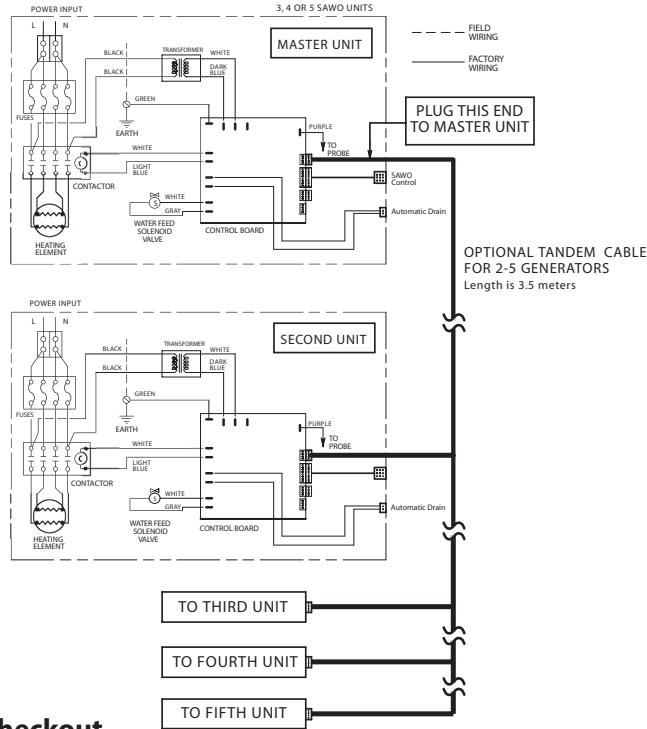
SAWO 230 VOLTS SINGLE PHASE WIRING DIAGRAM



THREE PHASE  
STR45-3, STR60-3,  
STR75-3, STR90-3  
STR120-3, STR150-3

SAWO 415 VOLTS THREE PHASE WIRING DIAGRAM

## Optional Tandem Cable - for connecting 2-5 steam generators in tandem



### Initial Start-Up and Checkout

1. Turn on control. Follow specific instruction sheet provided with controls.
2. Steam will begin to appear in 5 minutes at the steam head. Steam will shut off when desired temperature is reached and will automatically resume when room temperature drops below set point.
3. Steam will shut off automatically when control counts down to zero. To shut steam off manually, turn control OFF. To clear steam from enclosure area, turn shower on before opening door.
4. If unit does not start and control does not turn ON (control display does not light up) then turn breaker off for twenty seconds and try again.

### Optional Equipment

Refer to specific instruction sheets for installation, operation and maintenance of optional equipment and accessories.

### Maintenance

SAWO steambath generators require little maintenance. Other than periodic draining, maintenance procedures are minimal. Every 2 months, or more often in "hard" water areas, the manual drain valve should be opened fully flushing out accumulated materials, salts and other particles which are naturally by-products of boiling water.

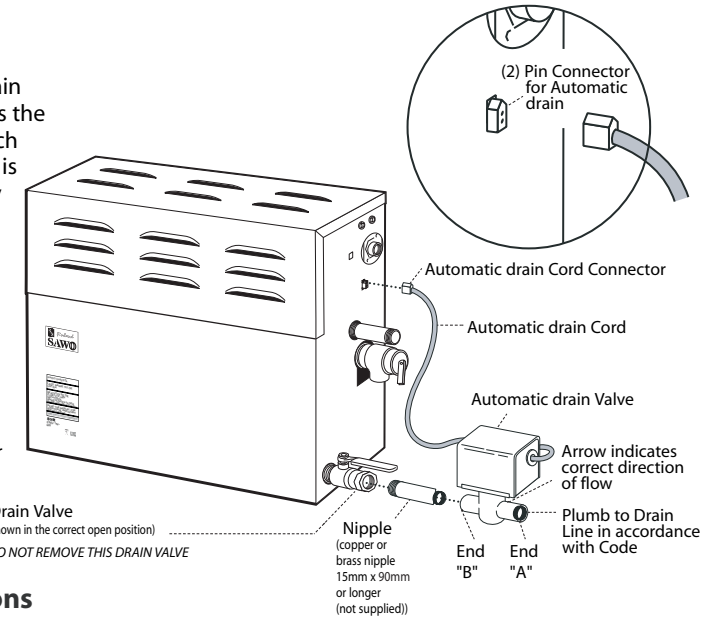
**NOTE:** Flush a minimum of two hours after the control has been turned off to insure that the water has cooled.

**WARNING** ⚠️ Draining immediately after a steam cycle may expose PVC and other piping to high temperature water. Check local requirements. The unit will refill automatically when the control is activated again. In areas of very hard water, a SAWO automatic drain system is recommended for generator longevity.

### Operation

The optional Automatic drain feature automatically drains the SAWO system following each use. The stainless steel tank is flushed and remains empty until the steam generator is used again. A time delay (about 2 hours) allows the water to cool down before it drains resulting in a safe gentle operation.

Steam Generator



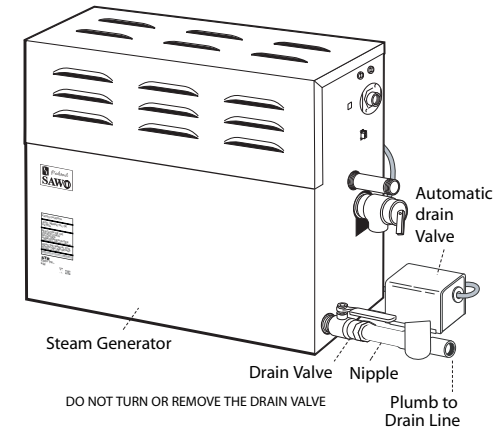
### Installation Instructions

1. Disconnect all power supplied to the unit.
2. Plumbing to be performed by a qualified licensed plumber and shall be in accordance with applicable national and Local Codes. Unit drains by gravity. A drain line that is lower than Automatic drain assembly must be available. The Automatic drain valve outlet is threaded 15mm. Check plumbing code for receptor, trap and vent requirements.
3. Use copper or brass nipple 15mm x 90mm or longer (not supplied) to connect the Automatic drain valve (end "B") to the Drain Valve (valve end "A" & "B" are indicated on bottom of Automatic drain Valve).

**CAUTION** ⚠️ DO NOT REMOVE THE DRAIN VALVE. Removal may cause equipment and property damage. If there is not enough room for the valve, an elbow and a short nipple (not provided) can be added.

4. Open Drain Valve (handle must be aligned with brass nipple as shown).
5. Connect the Automatic drain cord connector to the two pin connector as shown.

**WARNING** ⚠️ Do not drain into a steam enclosure or any location where accidental contact with drain water may occur. In the event of a power failure, the Automatic drain valve will open and discharge hot water.



Automatic drain shown fully assembled

**NOTE:** For illustrative purposes only.

# Optional Automatic Drain System

## Solder Fittings

When using solder fittings use only tin base solder with a melting point below 315°C. Do not overheat. Ends of water supply tubing must be thoroughly cleansed for a minimum distance of 25mm from ends. Do not remove valve cover.

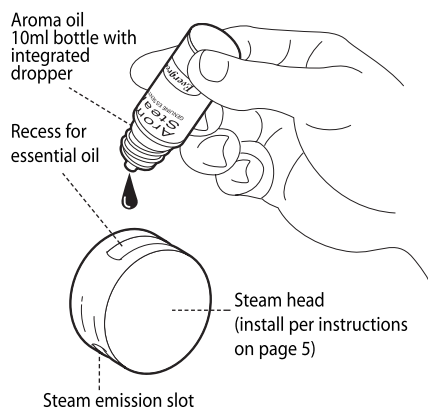
### To Check Operation

1. Turn on SAWO and allow tank to fill with water.
2. Turn off SAWO control. Water should stay in tank.
3. Turn off power at the panel box. Water should discharge from tank.
4. Turn on power at panel box.
5. Repeat.

PROVIDE DRAIN PLUMBING ACCORDING TO LOCAL REQUIREMENTS.  
PLUMB AS REQUIRED FOR GRAVITY DRAIN SYSTEM.

## Using Aroma Oils

Enjoy aroma oils by placing a drop or two into your steamhead as shown in the attached illustration. Only use SAWO aroma oils in a SAWO steamhead, or any other equivalent oil deemed suitable for use in the SAWO steamhead.



**CAUTION** Use aroma oils with caution. aroma oils are for external use only. Keep out of reach of children. aroma oils are highly concentrated and are potent substances and should not be applied directly to the skin as they can be irritants. Use aroma oils with caution.

**CAUTION** Place the drops into the SAWO steamhead recess prior to turning on the steam bath. Do not place drops in a hot steamhead as SERIOUS INJURY CAN RESULT IF YOU DO NOT FOLLOW THIS WARNING.

**CAUTION** Start with one drop to gauge strength and suitability. Limit to a maximum of a few drops during a steam bathing session. Some people may find that the aroma makes dizzy and the user should exit the steam bath IMMEDIATELY. If skin irritation occurs stop using the oils immediately. Remove any excess oil by washing in mild soap and water. If ingested, rinse mouth with water. Administer water or milk to dilute. contact a physician immediately.

## TECHNICAL DATA

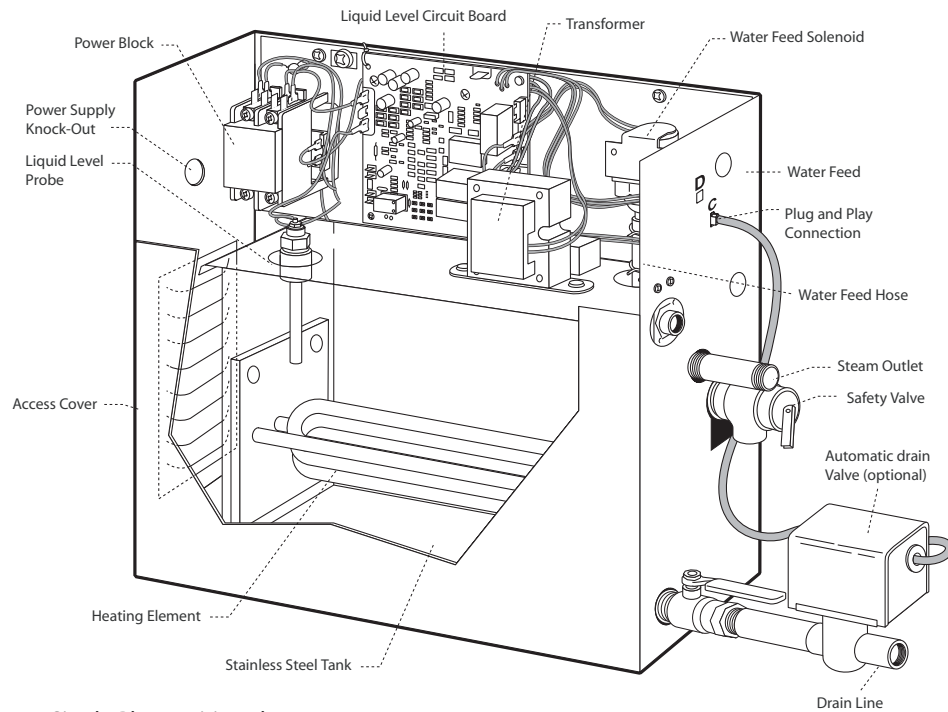
Model No.	kW	Steam Room Volume (m <sup>3</sup> )		Voltage (V)	Current (A)
		Light walls (acrylic, etc.)	Heavy walls (tempered glass, tiles, concrete, etc.)		
STR45-1	4.5	2 - 6	2 - 4	240	18A @ 220V 19A @ 240V
STR45-3	4.5	2 - 6	2 - 4	415	6A @ 380V 7A @ 415V 7A @ 430V
STR60-1	6.0	4 - 13	3 - 8	240	23A @ 220V 25A @ 240V
STR60-3	6.0	4 - 13	3 - 8	415	8A @ 380V 9A @ 415V 9A @ 430V
STR75-1	7.5	5 - 18	4 - 12	240	29A @ 220V 32A @ 240V
STR75-3	7.5	5 - 18	4 - 12	415	10A @ 380V 11A @ 415V 11A @ 430V
STR90-1	9.0	12 - 24	6 - 16	240	35A @ 220V 38A @ 240V
STR90-3	9.0	12 - 24	6 - 16	415	12A @ 380V 13A @ 415V 13A @ 430V
STR120-3	12.0	20 - 30	12 - 20	415	16A @ 380V 17A @ 415V 18A @ 430V
STR150-3	15.0	23 - 35	14 - 25	415	20A @ 380V 21A @ 415V 22A @ 430V

Model No.	Phase	Wire Size mm <sup>2</sup>	Size of Steam Generator (mm)			Carton Box	
			Length	Width	Height	cbm	wt. kg
STR45-1	1	4mm <sup>2</sup>	368	171	375	0.069	14.0
STR45-3	3	2.5mm <sup>2</sup>	368	171	375	0.069	14.0
STR60-1	1	6.0mm <sup>2</sup>	368	171	375	0.069	14.0
STR60-3	3	2.5mm <sup>2</sup>	368	171	375	0.069	14.0
STR75-1	1	6.0mm <sup>2</sup>	368	171	375	0.069	14.0
STR75-3	3	2.5mm <sup>2</sup>	368	171	375	0.069	14.0
STR90-1	1	8.0mm <sup>2</sup>	368	171	375	0.069	14.0
STR90-3	3	2.5mm <sup>2</sup>	368	171	375	0.069	14.0
STR120-3	3	4mm <sup>2</sup>	502	200	466	0.118	20.6
STR150-3	3	4mm <sup>2</sup>	502	200	466	0.118	20.8

\*For steam rooms with ventilation, please use higher kilowatt steam generators.

STR45-1, STR45-3, STR60-1, STR60-3, STR75-1, STR75-3,  
STR90-1 and STR90-3 (with Automatic drain) shown with cover removed

Models STR45-1, STR45-3, STR60-1, STR60-3, STR75-1, STR75-3, STR90-1 and STR90-3 are compatible with SAWO Controls and include a matching steam head. The weight is 21 kg per unit.

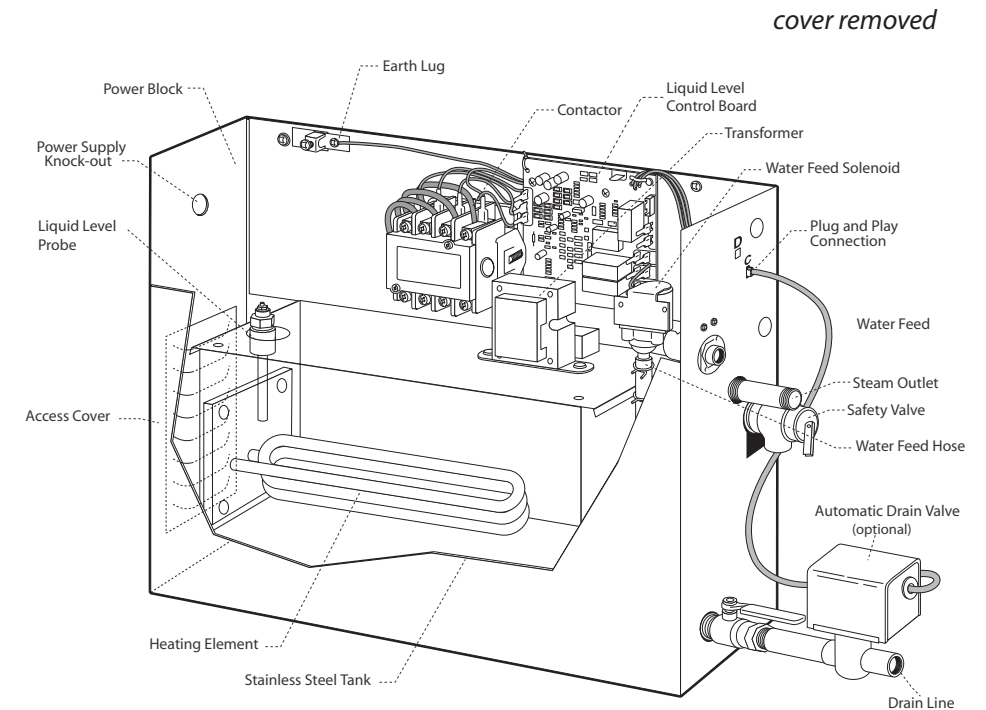


Single Phase wiring shown

**NOTE:** For illustrative purposes only. Some components may be omitted or altered for clarity. Do not use for wiring, repair or other purposes not related to component identification.

STR120-3 and STR150-3 (with Automatic drain) shown with cover removed

STR120-3 and STR150-3 are supplied standard with a SAWO Control and a matching steam head. The weight is 32 kg per unit.



**NOTE:** For illustrative purposes only. Some components may be omitted or altered for clarity. Do not use for wiring, repair or other purposes not related to component identification.

# Installing the Remote Temperature Probe

for SAWO Controls

**CAUTION** ⚠ The Remote Temperature Probe is for use with SAWO Control only. Do not use any other controls. Do not use any other temperature probe with the SAWO control. Noncompatible products may result in an inoperative control and a hazardous

**CAUTION** ⚠ Install the SAWO Control according to the installation and operation instructions supplied with the control. Failure to do so may result in an inoperative control and a hazardous condition.

1. Determine the location of the Remote Temperature Probe.  
The Remote Temperature Probe must be installed:
  - a. On a vertical surface
  - b. 1.2-1.5 meters above the floor
  - c. Away from the steam head
  - d. Not exposed to direct steam emission.

The probe has an integral 9 meter cable. Insure that the probe and/or steam generator are located accordingly. Contact a SAWO technical service representative if a longer cable is required.

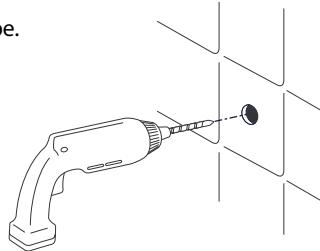
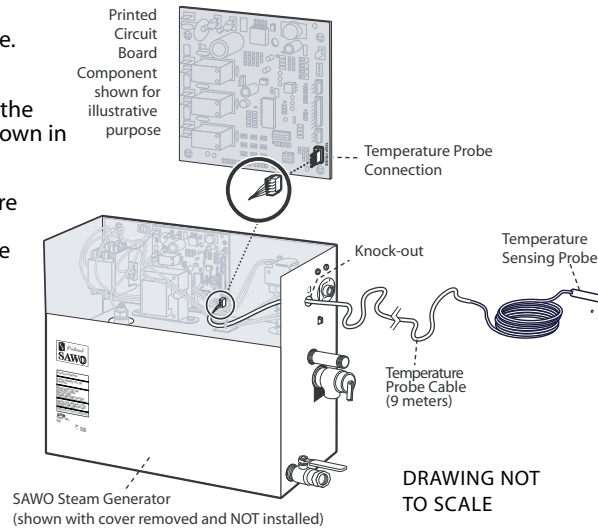


Diagram 1

2. Drill an 8mm hole in the wall as shown in Diagram 1. Do not oversize or undersize the hole. Clean area thoroughly.
3. Remove the knock-out from the steam generator jacket as shown in Diagram 2.
4. Insert the remote temperature probe cable through the knock-out and connect to the connector on the steam generator printed circuit board marked "TEMP PROBE" as shown in Diagram 2.

**NOTE:**  
For illustrative purposes only. Consult with qualified designer, architect or contractor for steam room construction details.



DRAWING NOT TO SCALE

Diagram 2

# Installing the Remote Temperature Probe (cont.)

5. Route the end of the temperature probe cable with the temperature probe through the wall into the steam room as shown in Diagram 3.

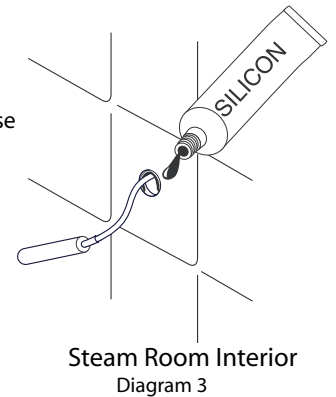
**IMPORTANT NOTE:** Do not strain, staple, pinch or otherwise damage the probe cable.

6. With a minimal length of the cable exposed apply silicone (provided) to the hole in the wall as required to create a moisture seal as shown in Diagram 3.

7. Push the temperature cable and bulb into hole as required to leave minimum 6mm, maximum 13mm of the bulb exposed as shown below.

**WARNING** ⚠ Insure a minimum of 6mm of the temperature bulb is exposed to the air. Failure to do so may result in an inoperative control and a hazardous condition.

**WARNING** ⚠ The exposed area of the temperature bulb must be free of silicone or any materials that prevent direct exposure to the steam room air. Failure to do so may interfere with the ability to sense temperature and may result in excessive steam room temperatures.



Steam Room Interior  
Diagram 3

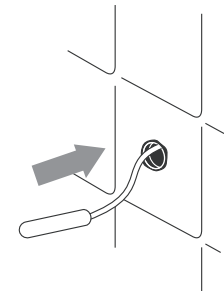
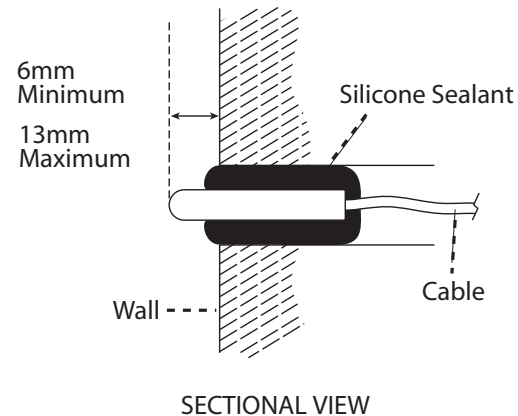
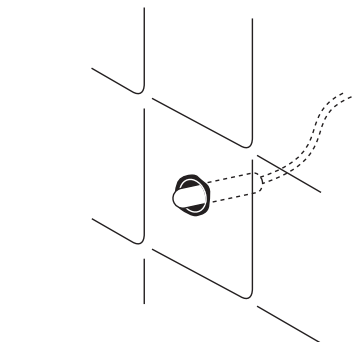


Diagram 4



SECTIONAL VIEW



INSTALLED REMOTE TEMPERATURE PROBE

# SAWO Controls

## Installation, Operation & Maintenance Manual

### Care Tips for Control

1. Use only mild soap and water on a soft cloth to clean the control.
2. Do not use abrasive cleansers

**CAUTION** ⚠ Do not route the control or temperature sensor wiring inside conduit together with power lines or close to hot water or steam piping. Doing so may result in an inoperative or hazardous installation. Do not alter or modify the control. Doing so may result in an inoperative or hazardous installation.

**IMPORTANT NOTE:** Turn power to the steam generator OFF before installing the control. Failure to turn the power off will result in an inoperable control.

## Installation Instructions

### Step 1

Determine the desired installation location of the control. The SAWO control is designed to be installed inside or outside the steam room as a matter of personal preference.

The control cable length is 7.5 m. Insure that the control and/or steam generator are located accordingly.

### Step 2

Do not oversize or undersize the hole.

### Step 3

Route the control cable to the steam generator. Connect the connector to the steam generator.

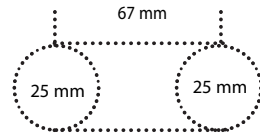
**NOTE:** The connector is keyed.

**IMPORTANT:** Do not strain, staple pinch or otherwise damage the control cable. Route cable as required to permit replacement.

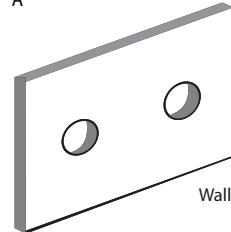
### Step 4

Turn on power to the steam generator and test the control to verify correct connections. Test per the instructions. Proceed with installation and verification of proper control function.

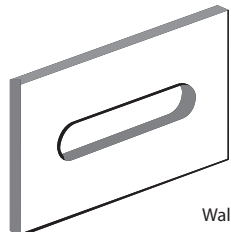
**IMPORTANT:** Turn power to the steam generator OFF before installing the control. Failure to turn the power off will result in an inoperable control.



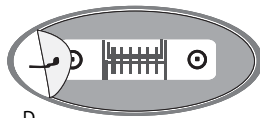
A



B



C



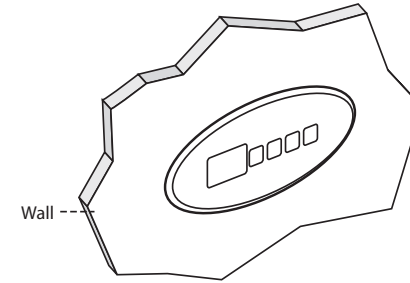
D

### Step 5

Remove & discard peel-off paper to expose adhesive liner as shown.

### Step 6

Run a bead of silicone (provided) as shown to the C shaped groove as shown.

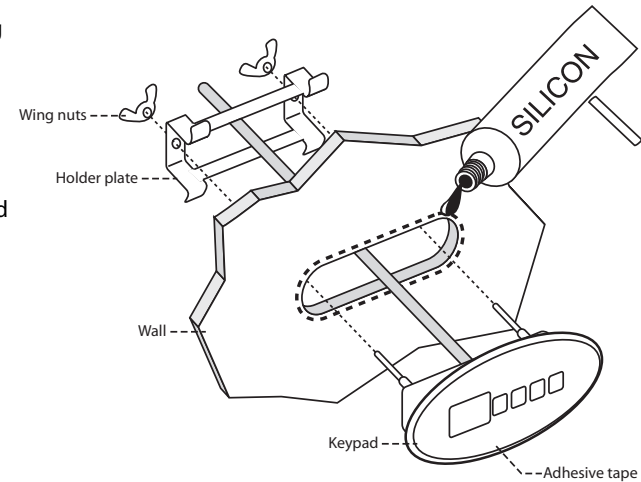


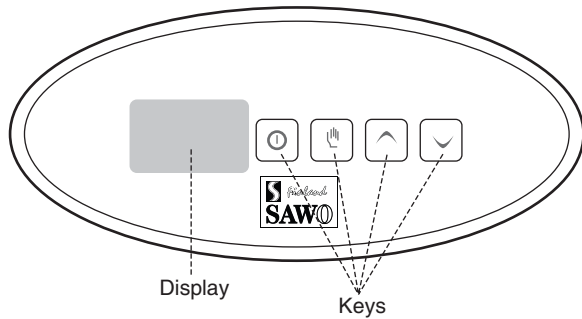
**IMPORTANT:** Do not apply excessive amounts of silicone. Do not apply silicone to any other parts of the control including the adhesive gasket.

### Step 7

Insure the mounting surface is and dry as required for good adhesion. Apply silicone into the hole in the wall as required to create a moisture seal.

Hold the control and press the control against the wall until the adhesive sticks and holds firmly as shown.





### On/Off Key

- ON/OFF Key is used to turn the steam generator on/off.
- Press On/Off key to turn steam generator on. Press a second time to turn steam generator off.
- A built-in timer automatically shuts the steam generator off a predetermined period of time after it has been started, unless the user does so manually.
- The "Display" indicates the Set Point temperature.

### Pause Key

Pause key is used to turn the steam generator off momentarily.

Press Pause key to activate stand-by mode.  
Press a second time to resume normal function.

The "Set Point" indicator will flash on the function panel when Pause feature is activated.

### Scroll Up & Scroll Down Keys

Up & Down arrow keys are used to set ambient temperature.

Pressing and holding keys will increase or decrease the current temperature setting.

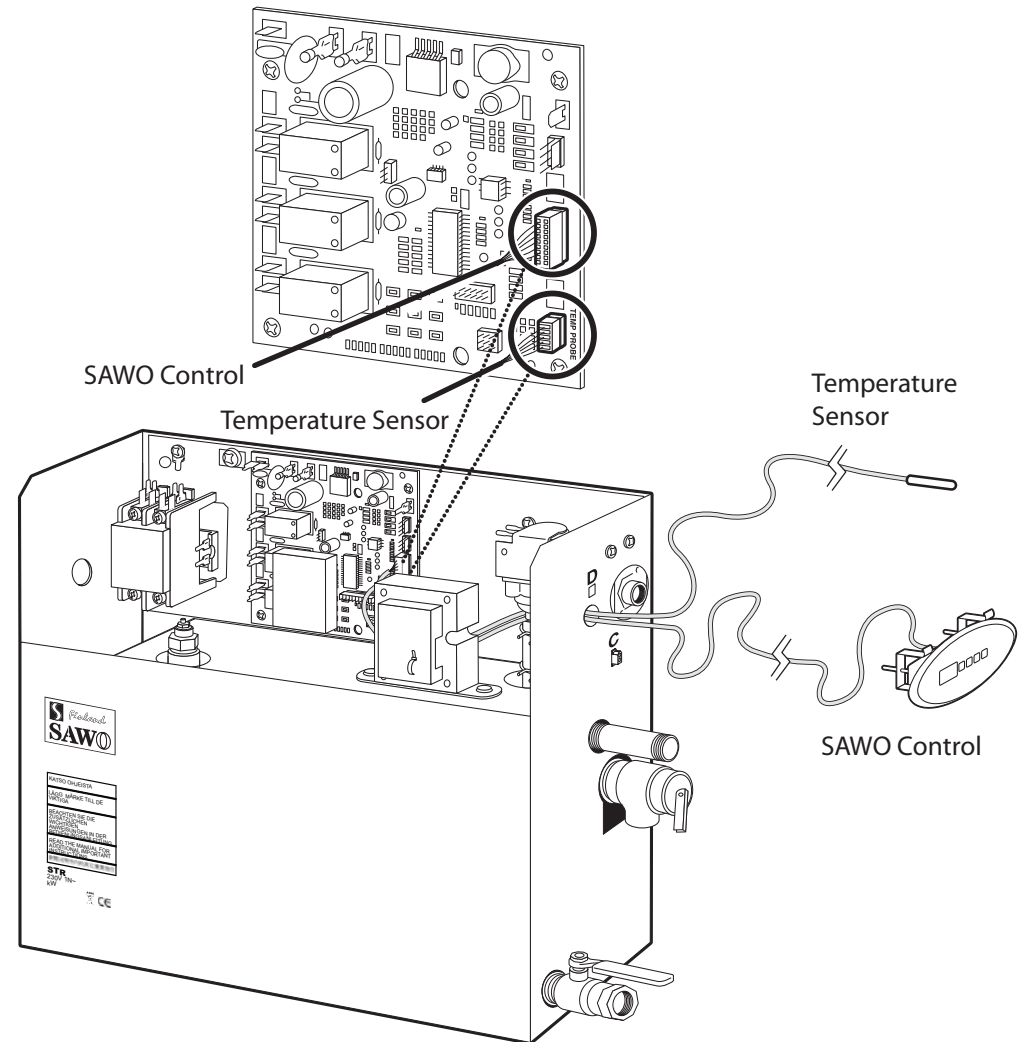
The new and desired temperature setting ("Set Point" value) will remain for 5 seconds on the LED display as a confirmation of the new value you have selected.

The "Set Point" indicator shows the desired temperature, NOT the actual temperature.

Temperature can be adjusted in 0.5 degree increments from 40 to 49°C.

When ambient temperature is 0.5°C lower than the Set Point, the heater automatically comes on until the temperature reaches Set Point plus 0.5°C.

## Connection of SAWO Control and Temperature Sensor to PCB.





## WARNING

1. Children under the age of 16 should not use the Steambath.
2. Check with a physician before use of the Steambath if you are pregnant, have a coronary condition, are in poor health, are being treated for any other medical condition, or are using medication or drugs.
3. Exit Steam Room immediately if you feel faint, dizzy, sleepy, or otherwise uncomfortable.
4. Do not use the Steambath if you have recently consumed alcohol.
5. Condensation and moisture may cause the the Steambath floor and other surfaces to become slippery and dangerous. Installation of non-skid floor materials or the use of proper footwear is recommended at all times.

**IMPORTANT!** Read the manual provided for use and safety information.

---

**SAWO**

SAWO, Inc. SAWO Building Mactan Export Processing Zone 2 Cebu, Philippines 6015 [www.sawo.com](http://www.sawo.com)