

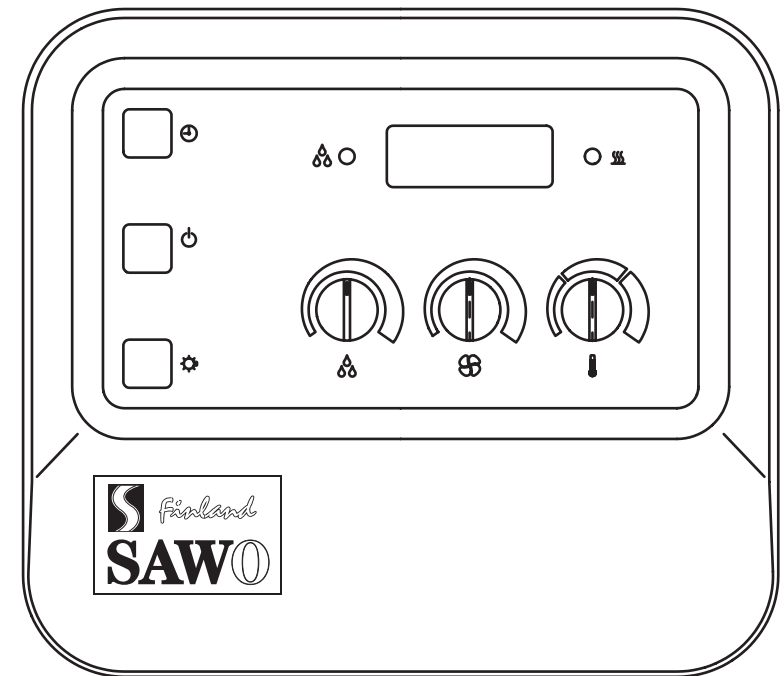
# Steam-Sauna Control AS 24

## Assembling Instructions

## Operating instructions

For SAWO Scandia Combi NS heaters

*UK version with Single-Phase installation instructions*



[www.sawo.com](http://www.sawo.com)  
[info@sawo.com](mailto:info@sawo.com)

Subject to change without notice.

Part 1 Assembly instructions, for specialised staff only

General safety information ..... 3  
 1 Mounting the control ..... 4  
 2 Mounting the stove sensor with overtemperature protector ..... 5  
 3 Mount the bench sensor FI ..... 6  
 4 Optional door switch ..... 7  
 5 Tests ..... 7

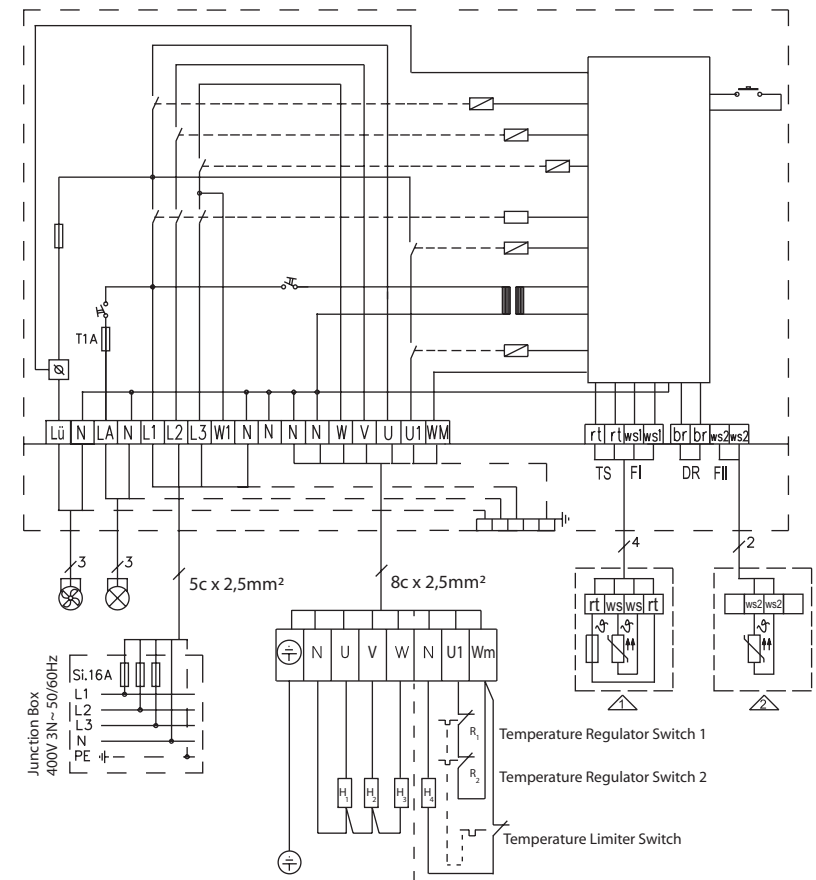
Part 2 Operating instructions for the user

General safety information ..... 8  
 1 Operating modes ..... 9  
 2 Displays ..... 9  
 3 Optional sauna door safety-monitor ..... 10  
 4 Error messages ..... 11  
 5 Turning on/off the control and cabin lighting ..... 11  
 6 Quick-Start Sauna Operation ..... 12  
 7 Quick-Start Steam Operation ..... 12  
 8 Sauna operation with delayed start ..... 13  
 9 Steam operation with delayed start ..... 13  
 10 Setting the fan ..... 14  
 11 Automatic final cabin drying program ..... 14  
 12 Cleaning ..... 15  
 13 Pausing operation for a longer time period ..... 15  
 14 Errors and possible remedies ..... 15  
 15 Maintenance ..... 15  
 16 Customer service ..... 15

Part 3

Technical data ..... 16  
 Connecting AS 24 to a single phase power supply ..... 17  
 Single Phase Power Supply ..... 18  
 Three Phase Power Supply ..... 19

**5** **Three Phase Power Supply**  
 (for connection of SAWO Scandia Combi heaters only)



**NOTE:**

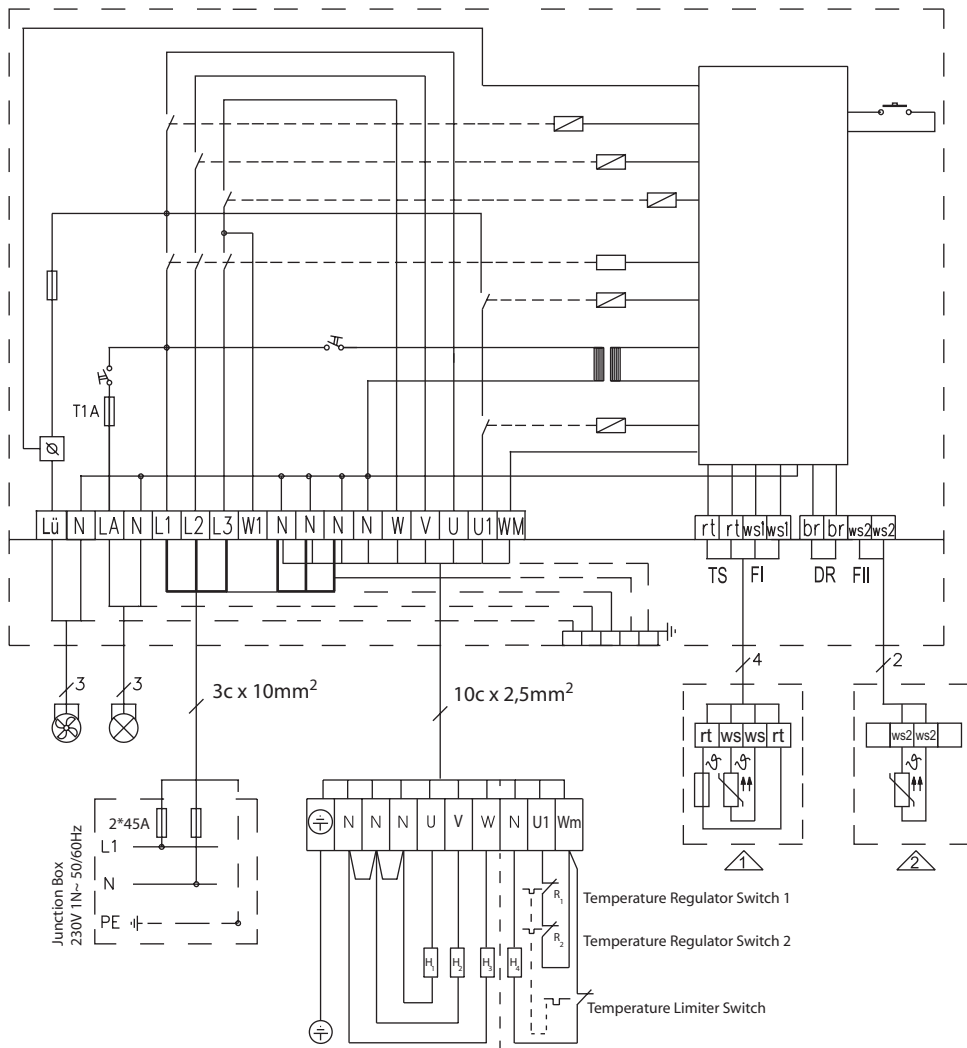
Only heaters up to 9kW (3x3kW) + 2kW (Steam Generator) can be connected to a Three Phase supplied AS24 control.

**WARNING:**

If a heater of more than 9kW (3x3kW) + 2kW (Steam Generator) power is connected to an AS24 control, overheating of the terminal and or wires can cause a fire.

### Single Phase Power Supply

(for connection of SAWO Scandia Combi heaters only)



**NOTE:**

Heaters up to 8kW (3x2.67kW) + 2kW (Steam Generator) can be connected to a Single Phase supplied AS24 control. Copper link provided for AS24 control should be installed for Single Phase connection. Refer to page 17.

**WARNING:**

If a heater of more than 8kW (3 x 2.67kW) + 2kW (Steam Generator) power is connected to an AS24 control, overheating of the terminal and or wires can cause a fire.

**Dear Assembler**

- Assembling may be performed by an electrician or a comparatively qualified person only.
- Make sure the control has been disconnected from the main power supply before starting work.
- Read the assembling instructions carefully, before assembling the control. In doing so you will utilise all the benefits of the device and you will prevent damages.
- To protect yourself, turn to your supplier should particular problems occur, which are not sufficiently dealt with in these assembling instructions.
- Unauthorized changes or modifications of the control are not permitted due to safety reasons.
- We reserve the right to make technical changes.

**Meaning of characters in the assembling instructions:**

**WARNING:**

If not observed you may be subject to severe or even deadly injury.

**CAUTION:**

If not observed you may be subject to medium to light injuries or material may be damaged.

**NOTE:**

Gives advice concerning applications and useful information.

Keep these assembling and operating instructions near the control for quick and easy reference regarding important information for safety and operation.

**General safety information**

Follow the special safety information of each chapter.

**Installation:**

- On three phase installation a 3-pin disconnection turnoff needs to be provided with a 3 mm contact opening. (Generally provided for by the fuse).
- On single phase installation a 2-pin disconnection turnoff needs to be provided with a 3 mm contact opening. (Generally provided for by the fuse).

**As directed use:**

- Prior to turning on the sauna control and to setting the desired time (time until the stove starts) make sure that no combustible objects have been placed on top of the stove.
- The control AS 24 is used to control the functions in accordance with the technical data.

**The following connections with SAWO Scandia Combi heaters are possible:**

- Three Phase Operation
  - SCAC-90NFS(UK): 9kW + 2kW (Steam Generator)
  - SCAC-80NFS(UK): 8kW + 2kW (Steam Generator)
  - SCAC-60NFS(UK): 6kW + 2kW (Steam Generator)
- Single Phase Operation
  - SCAC-80NFS(UK): 8kW + 2kW (Steam Generator)
  - SCAC-60NFS(UK): 6kW + 2kW (Steam Generator)

**Disposal:**

- Please dispose of packaging materials in accordance with applicable disposal regulations.

## 1 Mounting the control

Figure 1 4 5

Mount the control beside the cabin door, at a height of about 1.70 meters, or in accordance with the recommendations of the cabin manufacturer. A non-detachable supply connection provides the electrical power supply. The quality of the power supply cable is at least H07RN-F.

**! CAUTION:- Damages of Device:**

The control is splash-proof (degree of protection: IP X4). Nevertheless the control should not come in direct contact with water.

Mount the control at a dry location. Environmental conditions of 40° Celsius and a maximum of 95 percent humidity can not be exceeded.

1. Slightly push in the safety lock 8 and remove the housing cover.
2. Screw-in the recessed head screw at a height of about 1.80 meters, keeping a maximum distance to the sauna wall of 7 mm (refer to detail).
3. Hook the bottom of the housing 1 in location 2 on the mounted recessed head screw.

**! CAUTION:- Damages of Device:**

Do not attempt to connect a heater with more than 8kW + 2kW (Steam Generator) in single phase operation mode.

Run the stove and bench sensors and the door switch lines separate to other power cables in the connection range for extra-low voltage 5 of the control.

4. Guide the stove sensor and bench sensor lines through the mounting openings 6 (connection range for extra-low voltage 5) into the bottom of the housing 1 and in accordance with the circuit diagram, connect to the terminal 4.

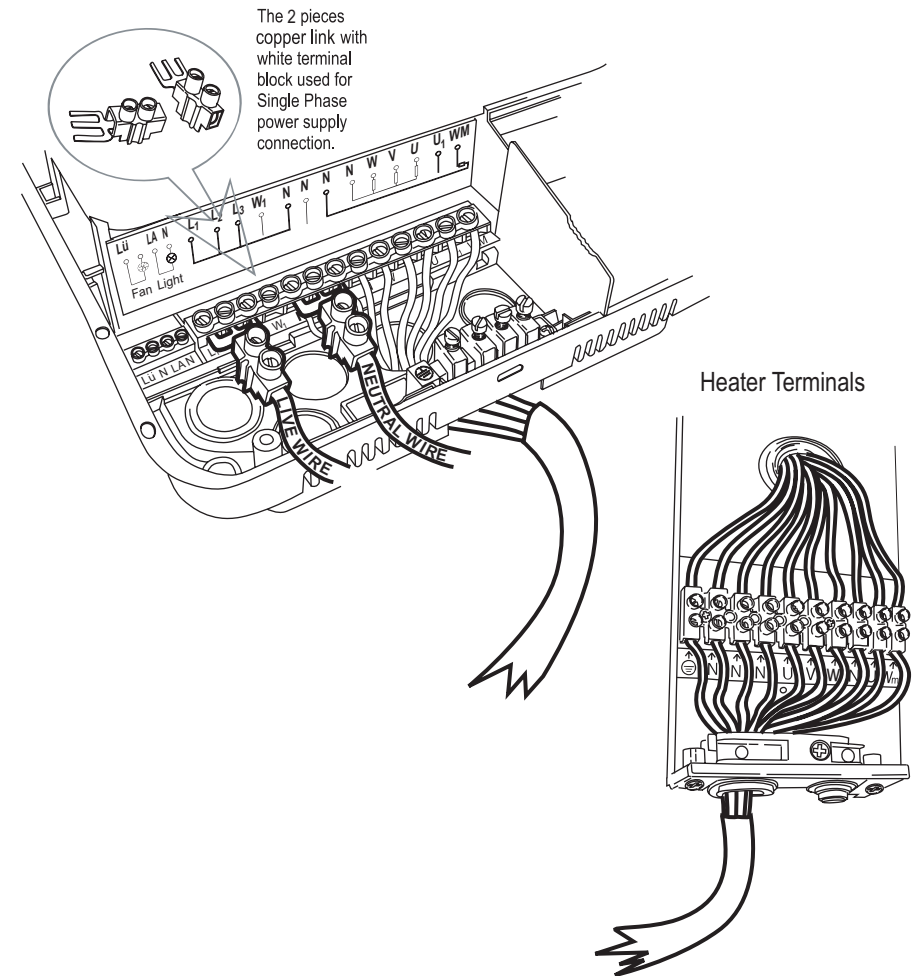
## 1 Continued

Figure 1 4 5

5. Applies to optional door switch only: Guide the door switch lines through the mounting openings 6 (connection range for extra-low voltage 5) into the bottom of the housing 1 and in accordance with the circuit diagram, connect to the terminal 4.
6. Guide the fan and lighting circuits through the mounting openings 9 (connection range for 230 V / 400 V 12) into the bottom of the housing 1 and connect to the terminal 13 in accordance with the circuit diagram.
7. Guide the supply, heating system, steam circuits through the mounting openings 11 (connection range for 230 V / 400 V 12) into the bottom of the housing 1 and connect to the terminal 14.
8. **Only for optional extended capacity:** Guide the cable for connection to terminals St1, St2, St3 of extended capacity through the mounting hole 9 (wire range for 230 V / 400 V 12) in the bottom part of the housing 1 and connect it to terminal 14, as outlined in the circuit diagram. Connect both lines to terminal "W" by using a TWIN wire end ferrule with a plastic sleeve.
9. Clamp the protective conductors to the protective-conductor terminal 7.
10. Screw two recessed head screws, 20 mm in length, into the bottom mounting holes 10. Check for secure fit of the bottom of the housing 1.
11. Place the housing cover 1 on top of the bottom of the housing, rotate it to the bottom and push until you hear it lock. Check for secure fit of the control.
12. When connecting a steam generator that does not have (WM-terminal) a water-shortage indicator, put on the connecting wires (U<sub>1</sub> and WM) coming from the control altogether on the terminal (U<sub>1</sub>) at the steam generator terminal connection.

## Connecting AS 24 to a Single Phase power supply

Make a wiring connection from AS 24 Control Panel to Heater Unit. Wires should be properly connected to corresponding letters on both terminal blocks.



## Technical Data

### Environmental conditions:

Storage temperature: -25 °C to + 70 °C  
 Ambient temperature: -10 °C to + 40 °C  
 Air humidity: max. 95 %

### Minimum temperature stability of the connecting lines:

Heating system, lighting circuits, stove and bench sensor lines are heat-resistant to at least 150°C .

### Maximum lengths of lines:

Stove sensor F I: 4.5 m  
 Bench sensor F II: 4.5 m

### Sauna Control:

Dimensions (Wx H x D): 240 x 80 x 220 mm  
 Type of protection: IP 24 - protection from splashing water  
 Weight: approx. 1250 g

### For Three Phase Connection

Nominal voltage: 380-415V; 50/60 Hz; 3N~  
 Switching capacity: AC1, 3 x 3kW + AC1, 2kW

### For Single Phase Connection

Nominal Voltage: 220-240V; 50/60 Hz; 1N~  
 Switching Capacity: AC1, 3 x 2.67kW + AC1, 2kW

Connection to the main circuit as permanent wiring (non-detachable connection).

### Steam generation:

On/ Off time: approx. 200 s  
 Min. / max. inrush impulse: approx. 10 / 200 s  
 Switching capacity / steam generator AC 1: 2 kW

### Light:

AC1 switched current: 1 A

### Thermal safety:

Stove sensor with overtemperature protector, shutdown temperature 139°C.  
 Automatic shutdown after, at the maximum of 6 hours (depending on the factory setting).  
 Dual sensor system with temperature controls via stove and bench respectively.

### Optional sauna door safety-monitor when the desired time has been set:

- Without heating operation:
  - The desired time set will be cancelled on opening of the sauna door.
- With heating operation at temperatures below 40°C:
  - The heater will be turned off. -Restarting the control is necessary.
- With heating operation at temperatures above 40°C:
  - The heater will shut down, if the sauna door remains opened for more than 5 seconds.
  - Heating continues on closing the sauna door.

### Range of adjustment:

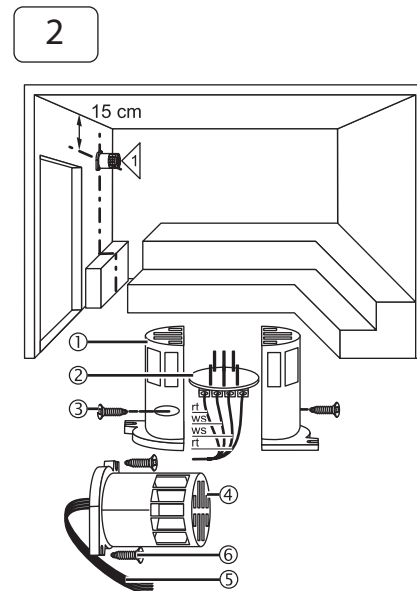
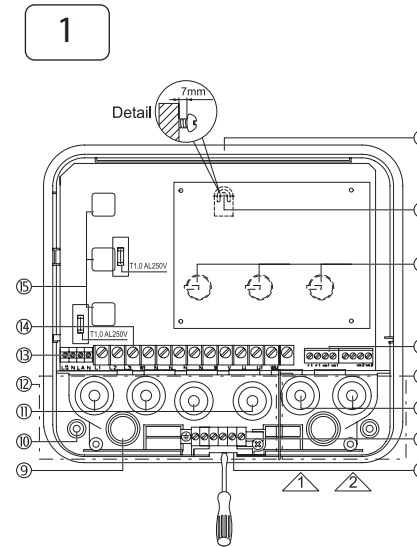
Sauna operation: 40-125 degrees Celsius above the stove.  
 Steam operation: 40-65 degrees Celsius at the bench.  
 Steam generator: 00 - 100 % steam output  
 Fan: 00 - 100 % fan capacity  
 Selected start-time : in 15 minute increments  
 Min. of selected start-time: 15 minutes  
 Max. of selected start-time: 23 hours 45 minutes

Duration of heating: Will be switched off automatically after 6 hours

\* If used in apartment buildings, hotels, or similar buildings, the operational timeframe has to be limited to 12 hours.

Edition: 02-2004 Ident-No. 151 03 32

## Assembling Instructions for Specialist Staff Only



## 2 Mounting the stove sensor FI with overtemperature protector

Figure 2 4 5

Mount the stove sensor with overtemperature protector FI in the sauna cabin about 15 cm below the ceiling and above the heating system, or in accordance with specifications of the cabin manufacturer. The stove sensor with overtemperature protector can only be connected with the attached 150°C temperature resistant connecting line. On the outside of the sauna cabin the temperature-resistant connecting line can be extended with customary lines.

**CAUTION - Double insulation is required:**  
 Run the stove sensor line separate to other power cables in the connection range for extra-low voltage of the control. Protect single insulated lines with a pipe (double insulation).

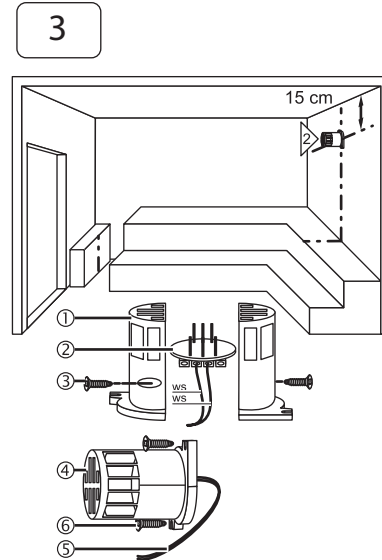
1. Run four-pin line ⑤ to mounting site of stove sensor ④ at the cabin wall and fix in position with wiring clips.
2. Separate two half shells ① of the stove sensor ④ and clamp to four terminal connectors of the temperature-resistant connection line according to the circuit diagram.
3. Insert round adaptor plate ② with the connection cross-wise in the half shells ①, close half shells ① and tighten with the two recessed head screws ③ which are 9 mm in length. Check if the stove sensor ④ is safely locked.
4. Perform tests according to the chapter on "Tests".
5. Screw stove sensor ④ to the cabin wall in alignment with the heater, keep a distance of 15 cm to the ceiling, or mount in accordance with specifications of the cabin manufacturer, using two wood screws ⑥.

**3 Mounting the bench sensor FI**  
Figure 3 4 5

The bench sensor is mounted in the sauna cabin about 15 cm below the ceiling and opposite of the heating system. The bench sensor can only be connected with the attached 150°C temperature-resistant connecting line.

**⚠ CAUTION:- Double insulation is required: Run the bench sensor line separate to other power cables in the connection range for extra-low voltage of the control. Protect single insulated lines with a pipe (double insulation).**

1. Run two-pin line ⑤ to mounting site of bench sensor ④ at the cabin wall and fix in position with wiring clips.
2. Separate two half shells ① of the bench sensor ④ and clamp to four terminal connectors of the 150°C temperature-resistant connection line according to the circuit diagram.
3. Insert round adaptor plate ② with the connection cross-wise in the half shells ①, close half shells ① and tighten with the two recessed head screws ③ which are 9 mm in length. Check if the bench sensor ④ is safely locked.
4. Perform tests according to the chapter on "Tests".
5. Screw bench sensor ④ to the cabin wall opposite of the heating system keeping a distance of 15 cm to the ceiling, using two wood screws ⑥.



**4 Single Phase Power Supply**  
REFER TO PAGE 18  
(for connection of SAWO Scandia Combi heaters only)

**12 Cleaning**

**⚠ CAUTION:- Double insulation is required: Do not pour water on the control or clean it with a wet cloth. For cleaning please use a cleaning cloth, which has been slightly moistened with a mild soapy solvent (dish detergent).**

**13 Interrupting operation for a longer time period**

Shut off the main fuses of the control in the fuse box.

**14 Errors and possible remedies**

**12.1 Automatic time limitation**

- Automatically, the control will turn off the heating after 6 hours of continuous heating.
- To continue operation turn off the ON / OFF switch ⑨ and turn it on again after 10 seconds.

**12.2 Cabin lighting does not work**

- Turn off ON / OFF ⑨ key.
- Shut off the main fuses of the control in the fuse box.
- Replace the light bulb.
- Switch on the main fuses and press key ⑧.
- Contact customer service, if the cabin light still does not work.

**15 Maintenance**

- Automatically, the control will turn off the heating after 6 hours of continuous heating.
- To continue operation turn off the ON / OFF switch 9 and turn it on again after 10 seconds.

**16 Customer Service**

- Please write down the address of your customer service here:

---



---



---



---



---


## 10 Setting the fan

With the fan setting device ⑥ you can set the fan in the cabin at any operating mode, sauna or steam generator operation. You can set the fan capacity from 00 - 100%.

1. Turn on the control according to chapter 5.1.
2. Set the desired fan capacity from 00-100% using the knob ⑥.

## 11 Automatic final cabin drying program

The final cabin drying program will start automatically as soon as steam generator operation has finished, and the cabin will be dried.

 **NOTE - In regard to drying we recommend observing the instructions provided by the manufacturer. As a general rule, the drying programme should not be prematurely ended since this could cause damage to the cabin (e.g. the formation of mould and rotting).**

### Program sequence:

1. The cabin is heated to 80°C, the fan will run for 5 minutes with a capacity of 100%.
2. The temperature of 80°C is maintained, the fan will run for 50 minutes with a capacity of 60% and then 10 minutes with a capacity of 100%.
3. The heater is switched off, the fan will run for 10 minutes with a capacity of 100%.

The control device will automatically switch off the heating system after expiration of the cabin drying programme. For safety reasons, the appliance must then be disconnected from the mains by means of the ON/OFF switch ⑨.

## 4 Optional door switch

Mount the optional door switch according to the assembling instructions attached to the door switch, or in accordance with the specifications of the cabin manufacturer.

**5**

### Three Phase Power Supply

REFER TO PAGE 19  
(for connection of SAWO Scandia Combi heaters only)

## 5 Tests

Tests have to be conducted by an authorised electrical engineer.



**WARNING: - Danger of Electric Shock: The following tests have to be conducted with supply voltage turned on.**

1. Test contact to protective-conductor terminal.
2. Test the safety shutdown of the stove sensor / fuse with line:
  - The lines have to be disconnected at the stove sensor to include the stove sensor lines in the test.
  - When disconnecting the white or red stove sensor lead and when the white lead shorts out, the heating system has to shut down by itself (red signal lamp flashes).
3. Test the phase interconnection for the sauna operation L1, L2, L3 to U,V,W.
4. Test the phase interconnection for the steam generator operation L1 to U<sub>1</sub>.

**Dear User**

- Carefully read the operating instructions before using the control. By doing so you will utilise all the benefits of the device and you will prevent damages.
- To protect yourself, turn to your supplier should particular problems occur, which are not sufficiently dealt with in these assembling instructions.
- Unauthorized changes or modifications of the control are not permitted due to safety reasons.
- We reserve the right to make technical changes.

Meaning of characters in the assembling instructions:



**WARNING:**  
If not observed you may be subject to severe or even deadly injury.



**CAUTION:**  
If not observed you may be subject to medium to light injuries or material may be damaged.



**NOTE:**  
Gives advice concerning applications and useful information.



**Fire hazard**

Keep these assembling and operating instructions near the control for quick and easy reference regarding important information for safety and

**General safety information**

Follow the special safety information of each chapter.

**As directed use:**

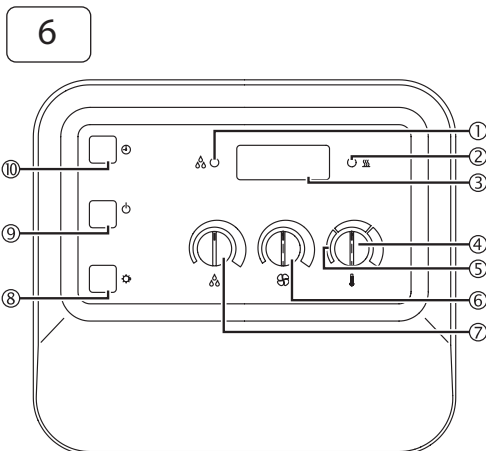
- Prior to turning on the sauna control and to setting the desired time (time until the stove starts) make sure that no combustible objects have been placed on top of the stove.
- The control AS 24 is used to control the functions in accordance with the technical data. You are only allowed to use the control AS 24 for controlling 3 heating circuits with a maximum heating capacity of 3.0 kW per heating circuit.

**Disposal:**

- Old used devices contain recyclable materials. Therefore please do not simply dispose of them at the nearest landfill, but do inquire at the administrative offices of your city or district about the possibility of recycling.

**If the equipment is to remain unused for an extended period:**

Switch off the main power supply isolator to the AS24 control.



**8 Sauna operation with delayed start**

**8.1 Setting the desired time**

You can select the delay period before the stove is to start heating. You can set the time at a minimum of 15 minutes (display 00.15), or at a maximum of 23 hrs. and 45 minutes (display 23.45).

**NOTE - Optional sauna door safety-monitor: (refer to chapter 3):**

1. Turn on the control according to chapter 5.1.
2. Press and hold time key ⑩.
  - The desired time is reset to zero and from thereon will count at 15 minute increments.
3. Release time key ⑩.
  - The display ③ indicates the desired time.
  - The time set starts and the remaining time until the stove will start is indicated.
4. Set the desired temperature using the knob ④. Note (with a pencil mark) the temperature most agreeable to you.

After the desired time set has elapsed the stove will be started. If the cabin temperature measured is less than the desired temperature set, the control will respond. The control will heat. If the cabin temperature measured is greater than the desired temperature set, the control will not respond yet until the cabin temperature will go below the desired temperature setting.

5. Turn off the control according to chapter 5.2.

**8.2 Cancelling the selected time**

5. Briefly press the time key ⑩.
  - The desired start-time will be cancelled.

**9 Steam operation with delayed start**

**9.1 Setting the desired time**

You can set the time, after which the stove and the steam generator will turn on. You can set the time at a minimum of 15 minutes (display 00.15), or at a maximum of 23 hrs. and 45 minutes (display 23.45).

**NOTE - Optional sauna door safety-monitor: (refer to chapter 3):**

1. Turn on the control according to chapter 5.1.
2. Press and hold time key ⑩.
  - The desired time is reset to zero and from thereon will count at 15 minute increments.
3. Release time key ⑩.
  - The display ③ indicates the desired time.
  - The time set starts and the remaining time until the stove will start is indicated.

**Steam operation at temperatures up to approx. 65°C only:**

Refer to chapter 1 Operating Modes.

4. Using the knob ④ set the desired temperature at a range ⑤ of 40°- 65°C, and with the knob ⑦ set the desired steam output. Note (with a pencil mark) the settings most agreeable to you.

After the selected time has elapsed, the stove and steam generator start running. The steam output is implemented by quickly turning on and off the steam generator. The time for turning the generator on and off depends on the steam output selected.

- In display ③ the symbol for steam generator running will appear (see chapter 2).
5. Shut-off the operation of the steam generator: see chapter 7 point 4.

## 6 Quick-Start Sauna Operation

1. Turn on the control according to chapter 5.1.
2. Set the desired temperature using the knob ④.  
Note (with a pencil mark) the temperature most agreeable to you.
3. Briefly press time key ⑩ (less than 2 seconds)
  - The heater starts.
  - The signal lamp ② is lit constantly.

If the cabin temperature measured is less than the desired temperature set, the control will respond. The stove will heat. If the cabin temperature measured is greater than the desired temperature set, the control will not respond yet until the cabin temperature will

4. Turn off the control according to chapter 5.2.

## 7 Quick-Start Steam Operation

**Steam operation at temperatures up to approx. 65°C only:**


Refer to chapter 1 Operating Modes.

1. Turn on the control according to chapter 5.1.
2. Using the knob ④ set the desired temperature at a range ⑤ of 40°- 65°C. Note (with a pencil mark) the temperature most agreeable to you.
2. Set the desired steam output using the knob ⑦.  
Note (with a pencil mark) the steam output most agreeable to you.
3. Briefly press time key ⑩ (less than 2 seconds)
  - The heater starts.
  - The steam generator starts to work.
  - The signal lamp ① is lit constantly.

The steam output is implemented by quickly turning on and off the steam generator. The time for turning the generator on and off depends on the steam output selected.

- In display ③ the symbol for steam generator running will appear (see chapter 2).
4. Shut-off the operation of the steam generator by turning knob ⑦ to the "off" position. The cabin-drying programme will start automatically (see Chapter 11). The following will appear in the display ③: **dry**.

Should operation of the sauna be desired after the steam generator, first turn the knob ④ from the area ⑤ in the sector with the dark background, and then the knob ⑦, to the .off. position.

 **NOTE** - In regard to drying we recommend observing the instructions provided by the manufacturer.

**As a general rule, the drying programme should not be prematurely ended since this could cause damage to the cabin (e.g. the formation of mould and rotting).**

## 1 Operating modes

You have two operating modes: sauna and steam operation. You can start the operating modes directly via the Quick-Start feature (refer to chapter 6 and 7) or after the set desired time has elapsed - time until the stove turns on (refer to chapter 8 and 9).

**During sauna operation** you will have dry heat at your disposal. The temperature is high, the humidity is low.

During steam operation the temperature in the sauna cabin will be lower, but the relative humidity will be significantly higher.

**Steam operation at temperatures up to approx. 65°C only:**


If you adjust the steam using the knob ⑦ while the temperature is above 65°C, the display ③ will indicate the message: **Hot**

- The control will shut down the heater.
- The steam generator will be switched on once the temperature falls below 65°C.


**With a fan** the cabin can be vented in any operating mode (see chapter 10) .

**A final cabin drying program** (see chapter 11) will start automatically as soon as steam operation has stopped. It will switch off as soon as drying is completed.

## 2 Displays


 Self-testing of the control (display flashes).

 Heater is running.


 Steam generator is running.


 Fan is running.


 Fan is running -100 % capacity

 No display = heater, steam generator and fan not running.

 Final drying program running.

 Door of the sauna cabin is open. (applies to optional sauna door safety-monitor only).

 Excessive temperature for running the steam generator (more than 65°C).

 Low-water level in steam generator (applies to units with a connection to a water-shortage indicator only).

### 3 Optional sauna door safety-monitor

To offer protection from fire hazards, the sauna door will be monitored after the desired start-time has been set (time until the stove turns on). To prevent somebody from entering the cabin after the desired start-time has been set, and perhaps place an object on top of the stove, the control has been equipped with a safety shutdown, which will respond according to the operational status:

#### 3.1 Operational status - stove does not heat

**The desired start-up time has been set. Heater is not running yet. The sauna door is opened:**

- You will hear a repeated beeping sound,
- the display ③ will indicate the message "door",
- the desired start-time will be cancelled.

**After closing the sauna door, you will have to reenter the desired start-time.**

### 3 Optional sauna door safety-monitor - continued

#### 3.2 Operational status - stove is heating

**The desired start-up time has elapsed. The heater is running. The sauna door is opened:**

##### 1. The temperature is below 40°C:

- You will hear a repeated beeping sound,
- The display ③ will indicate the message "door".

**After closing the sauna door, you will have to reenter the desired start-time or you will have to restart the control .**

##### 2. The temperature is above 40°C:

If you quickly open the sauna door (for less than 5 seconds) no message will be indicated. If the sauna door is opened for longer than 5 seconds:

- you will hear a repeated beeping sound,
- the signal lamp ② will flash,
- the heater will be turned off,
- the display ③ will indicate the message "door",

**After closing the sauna door, the heater will be turned on again.**

- The beeping stops,
- the displayed message .door. disappears.

### 4 Error messages

#### 4.1 Displayed error messages ③:

An error message signals an electrical defect of the system.

**The control is no longer ready-to-operate:**

1. Write down the error message.
2. Switch off the main fuses of the control in the fuse box.
3. Contact customer service.
4. Mark the control as being defective.

Using the following display error messages ③ you can inform customer service of possible errors / defects.

**The error messages mean:**

**E-F1:** Short in line / break in line/ stove sensor FI defective.

**E-F2:** Short in line / break in line / bench sensor FII defective.

**E-12:** Over-temperature fuse in Sensor F1 has operated, or break in line.

**E-P I:** Damage of the potentiometer ④ for temperature setting.

**E-P 2:** Damage of the potentiometer ⑥ for fan adjustment.

**E-P 3:** Damage of the potentiometer ⑦ for steam adjustment.

#### 4.2 Red signal lamp ② flashes:

Automatically, the control will turn off the heater if the overtemperature protector has responded.

**The control is no longer ready-to-operate:**

1. Shut off the main fuses of the control in the fuse box.
2. Contact customer service.
3. Mark the control as being defective.

### 5 Turning on / off the control and the cabin lighting

#### 5.1 Turning on the control



**WARNING: - Fire hazard: :**



**Prior to turning on the sauna control and when selecting the start-time (time until the stove starts) make sure that no combustible objects have been placed on top of the stove.**

1. Turn on the control with the ON / OFF key ⑨.  
A self-test follows:
  - Briefly, the signal lamps ① / ② light up.
  - A buzzer will beep once.
  - The display ③ flashes: 00.00
  - The control is ready-to-operate.

#### 5.2 Turning off the control

1. After finishing the sauna / steam bath press the ON/ OFF key ⑨.
  - The signal lamps ① / ② go out.
  - The control has been turned off.

#### 5.3 Turning the sauna cabin lighting on / off

1. Key ⑧ turns sauna interior lighting ON / OFF.