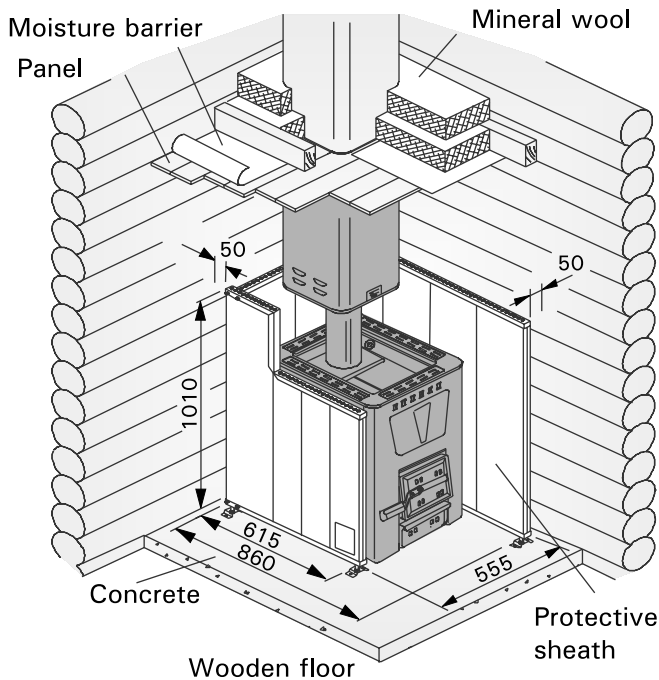


# HARVIA PROTECTIVE SHEATH AND BEDDING



**Harvia protective sheath** efficiently prevents the effects of direct heat on inflammable materials. The protective sheath is categorised as a warm surface. Its surface temperature does not rise above 80 °C in normal use, which means that it can be installed at a horizontal distance as small as 50 mm from any inflammable wall material without requiring any other protection. The settling of log walls is not a problem when a protective sheath is used for shielding heat radiation.

The protective sheath shall be installed on a non-flammable floor on its own adjustable legs and fastened to the platform. A separate **protective bedding** is available as an optional extra. The combination of a protective sheath and bedding complies with fire protection regulations when the heater is installed on a wooden floor. When using the protective bedding without a protective sheath, the required horizontal safety distance between the furnace and the inflammable floor must be observed.

**Protective sheaths** are available in left-hand and right-hand versions. When selecting the opening direction, attention must be paid to the shape of the sauna and the water-throwing direction. You should also account for the space required for a flue-mounted water heater.

When using a pipe-mounted water heater, a separate radiation protection sheath shall be installed around the connecting pipe between the water heater and the chimney.

The length of the insulated part of a Harvia steel smoke pipe without a water heater must be dimensioned so that it extends below the upper edge of the protective sheath. This way, direct radiation from the non-insulated chimney cannot affect the flammable wall material.

A Harvia **furnace, chimney, protective sheath** and **bedding** make up a stylish and safe combination where the components fit each other.

## Technical specifications:

- Protective sheath walls of aluminium-galvanised steel plate
- The walls are fastened to each other and the floor using the supplied screws
- Adjustable legs with screw fastening plates
- The wall elements (3 pieces) are supplied separate in a cardboard box including the required supplies, size 1010 x 1010 x 105 mm
- Package weight approx. 30 kg

Harvia Oy  
 PL 12  
 40951 Muurame  
 Finland  
[www.harviasauna.com](http://www.harviasauna.com)

The Harvia protective sheath is carefully tested and approved for use with the following furnaces:

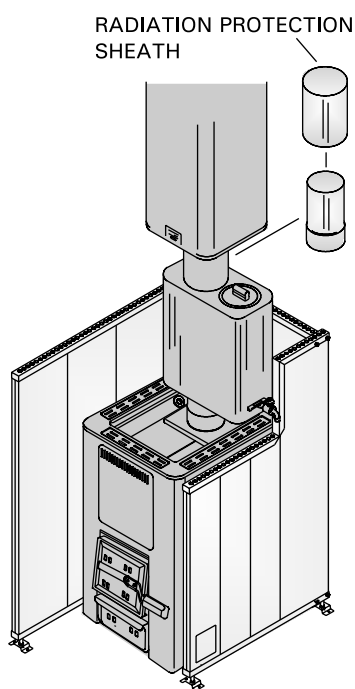
**Woodburning stoves:**

- Harvia 16
- Harvia 20 ES Pro
- Harvia 20 ES Pro S
- Harvia 20 Pro
- Harvia 20 Pro S

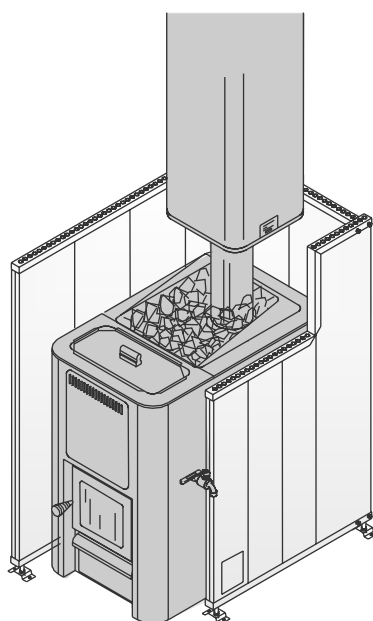
**Iron stoves:** Harvia 10 and Harvia 11

**Cauldrons:** Harvia 50 I

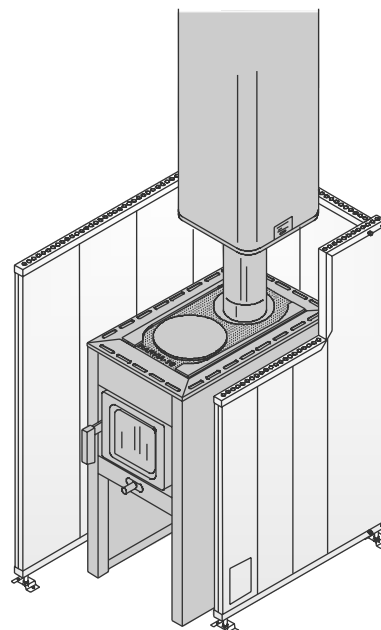
**Fireplaces:** Harvia Nostalgia Mini



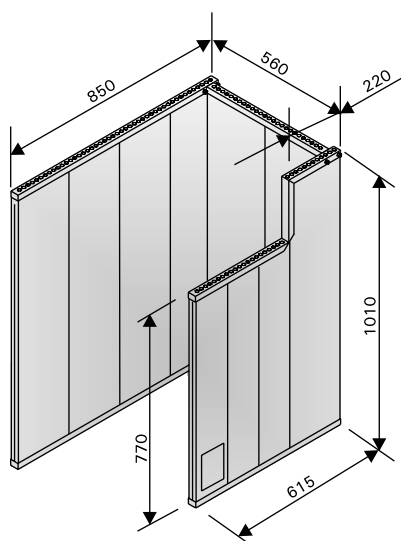
**PK 16 WITH PIPE-MOUNTED WATER HEATER AND PROTECTIVE SHEATH**



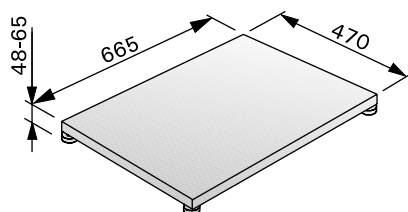
**PK ES PRO 20 AND PROTECTIVE SHEATH**



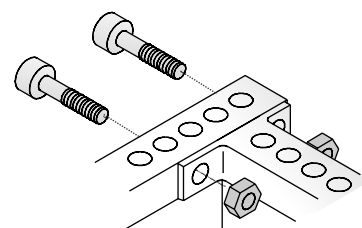
**HARVIA 10 IRON STOVE AND PROTECTIVE SHEATH**



**PROTECTIVE SHEATH DIMENSIONS**



**PROTECTIVE BEDDING (OPTIONAL)**



**FASTENING OF PROTECTIVE SHEATH ELEMENTS**